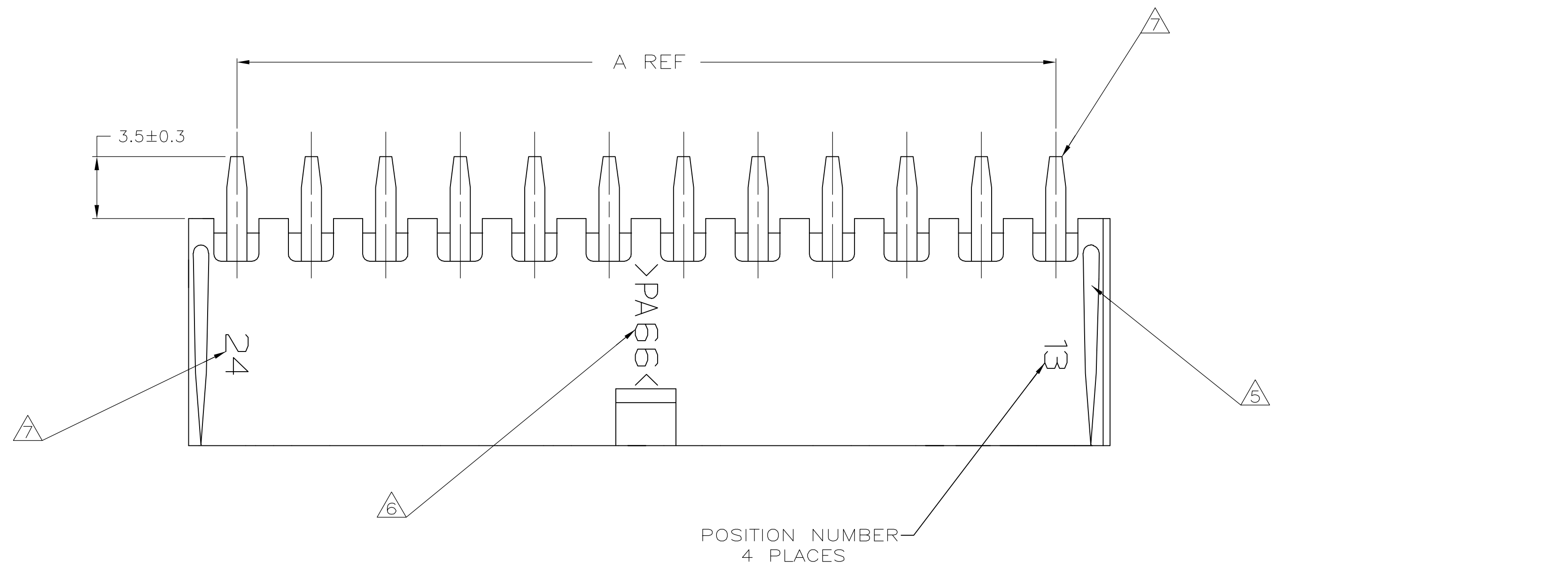
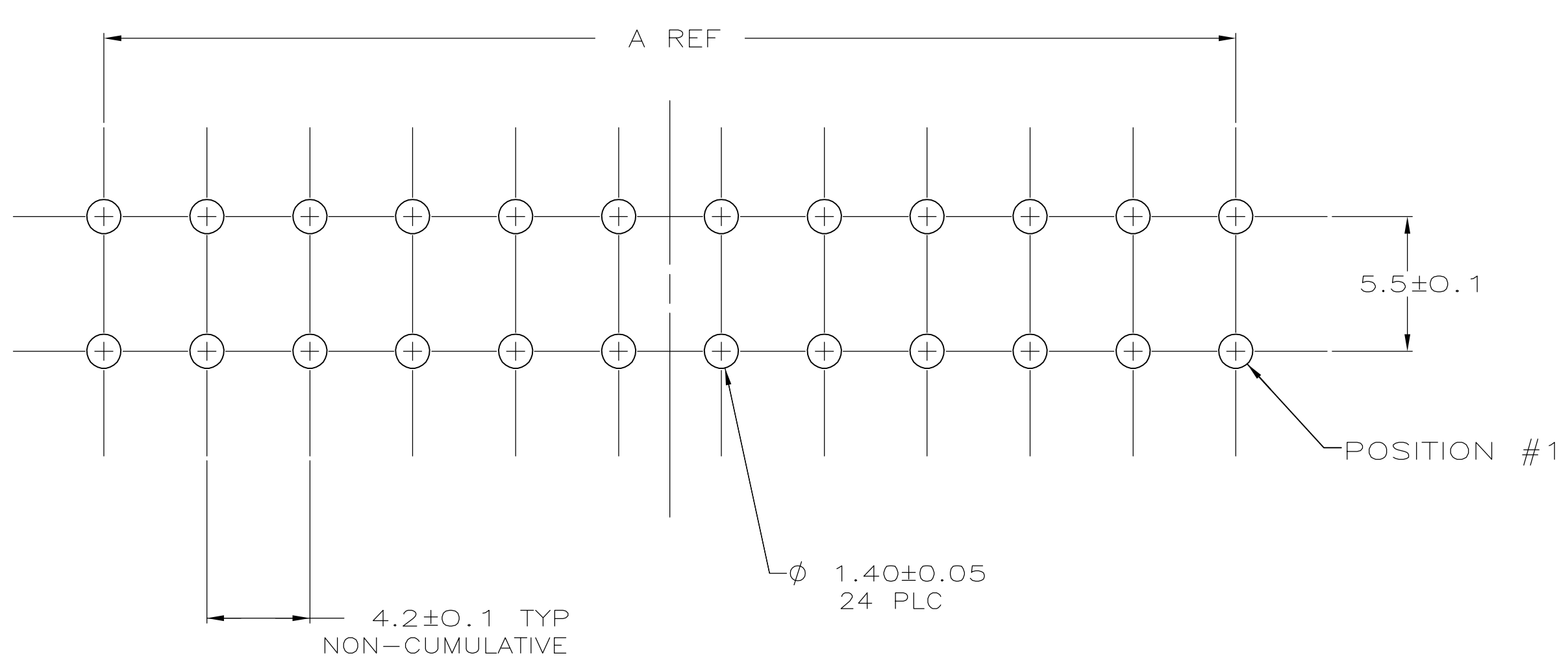
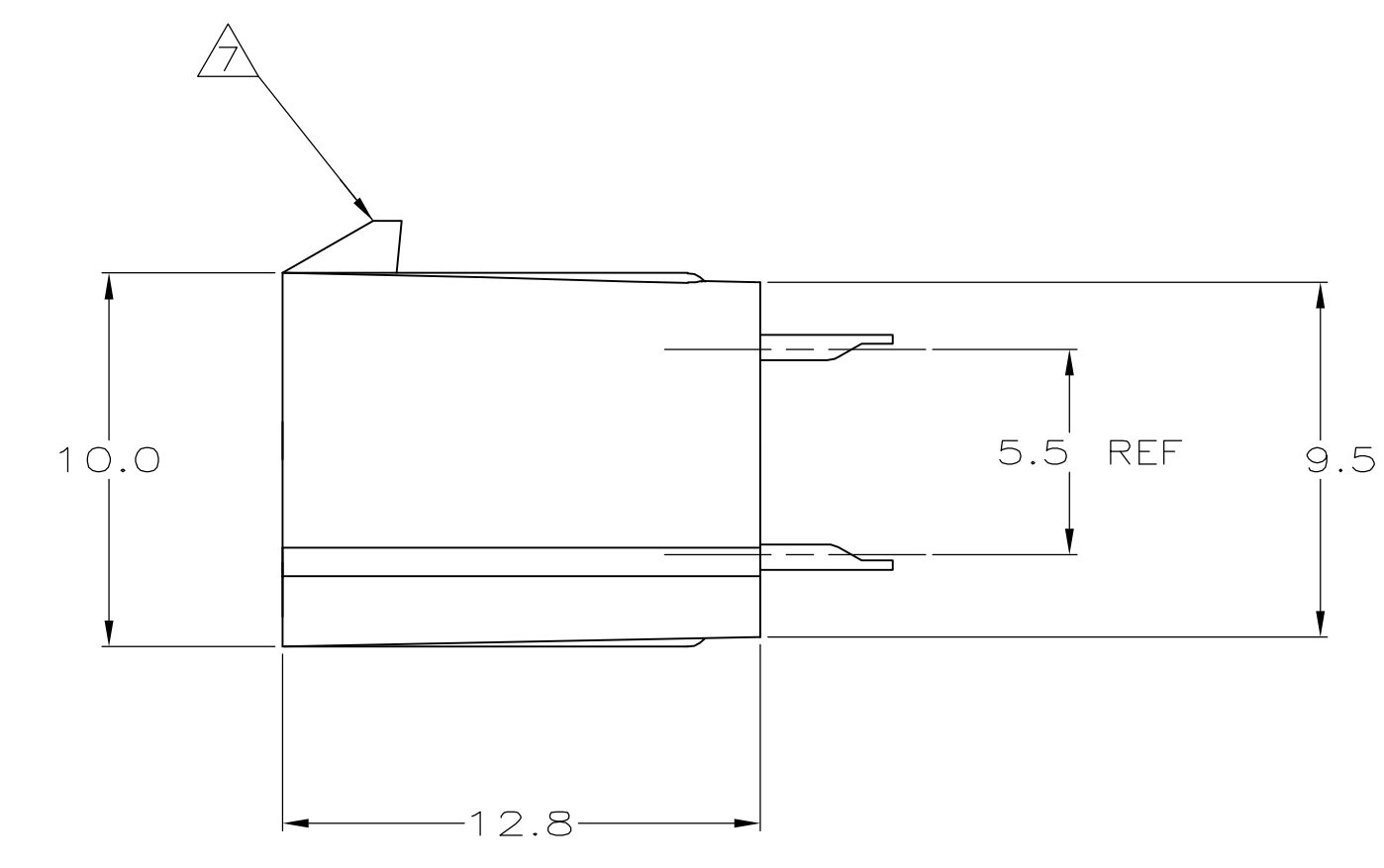
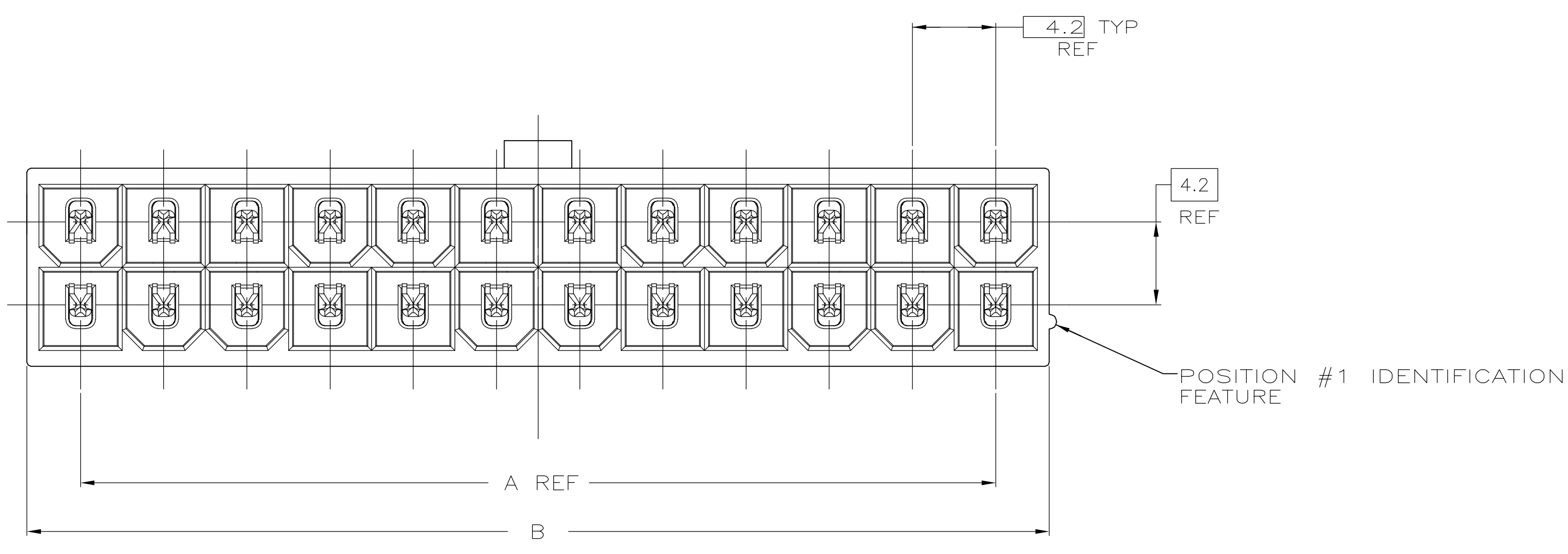


LOC		DIST		REVISIONS			
P	LTR	DESCRIPTION	DATE	DRN	APVD		
01		REVISED PER ECO-05-009878	11OCT05	KW	DC		

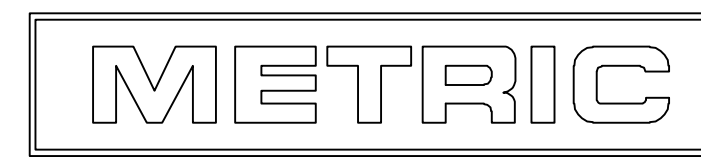


- △ MATERIAL: HOUSING - NYLON, UL94V-2 (COLOR - NATURAL, COLOR OF PARTS MAY VARY).  
CONTACTS - 0.25 THK COPPER ALLOY.
- △ CONTACT FINISH: 0.003 MIN THK TIN OVER 0.00127 MIN THK NICKEL OVER ENTIRE CONTACT.
- 3. SOLDER TAIL MEETS AMP SOLDERABILITY SPECIFICATION 109-11-2.
- 4. MATES WITH SIMILARLY PLATED AMP-DUAC™ POWER CONNECTOR RECEPTACLE HOUSINGS/SOCKET CONTACTS.
- △ RIBS ON FOUR CORNERS OPTIONAL.
- △ AMP LOGO AND MATERIAL ID MAY BE LOCATED ON EITHER LONG SIDE OF PART.
- △ SIZE, SHAPE OR STYLE OF THIS FEATURE MAY VARY.



51.6	46.2	24	2-1586491-4
47.4	42.0	22	2-1586491-2
43.2	37.8	20	2-1586491-0
39.0	33.6	18	1-1586491-8
34.8	29.4	16	1-1586491-6
30.6	25.2	14	1-1586491-4
26.4	21.0	12	1-1586491-2
22.2	16.8	10	1-1586491-0
18.0	12.6	8	1586491-8
13.8	8.4	6	1586491-6
9.6	4.2	4	1586491-4
5.4	0.0	2	1586491-2
B	A	NO. OF POSITIONS	PART NO

RECOMMENDED MOUNTING HOLE PATTERN FOR 1.78 MAX THICK P.C. BOARD COMPONENT SIDE SHOWN



THIS DRAWING IS A CONTROLLED DOCUMENT.

DIMENSIONS: mm	TOLERANCES UNLESS OTHERWISE SPECIFIED:	DWN: K. WHITAKER 20JUNE2005	chk: D. COLEY 20JUNE2005	APVD: D. COLEY 20JUNE2005	NAME: tyco Electronics	Tyco Electronics Corporation Harrisburg, PA 17105-3608
0 PLC ± -	1 PLC ± 0.2	PRODUCT SPEC: 108-1699	APPLICATION SPEC: -	SIZE: A1	CAGE CODE: 00779	DRAWING NO: 1586491
2 PLC ± 0.15	3 PLC ± -	RESTRICTED TO: -	WEIGHT: -	CUSTOMER DRAWING	SCALE: 5:1	SHEET: 1 OF 1
4 PLC ± -	ANGLES ± 0.30°					REV: 01